

Model Number	Faucet Holes	Depth-Inches	Drain Placement	ADA/FHA Compliant*
GS204573BQ <i>(pictured)</i>	3	6-1/2"	Rear	Yes
GS204571BQ	1	6-1/2"	Rear	Yes

### SINK DESCRIPTION

- 2000 Series single bowl drop-in sink
- 20 gauge stainless steel, matte bowl finish
- U-channel mounting system, hardware included
- QuickMount™ installation included
- SoundSHIELD™ sound absorbing system

### WARRANTY

- Lifetime limited warranty to the original homeowner
- 10 year limited warranty when used in a Multi-family installation
- 5 year limited warranty when used in a Commercial installation
- Visit [www.moen.com/customer-support/warranty](http://www.moen.com/customer-support/warranty) for complete details and limitations

### SINK DIMENSIONS

- Overall: 17" x 21-1/4"
- Bowl: 14" x 15-3/4"
- Drain Size: 2"
- Faucet Holes
  - 1-1/2" (38mm) diameter
  - 4" (102mm) center

### CUT OUT DIMENSIONS

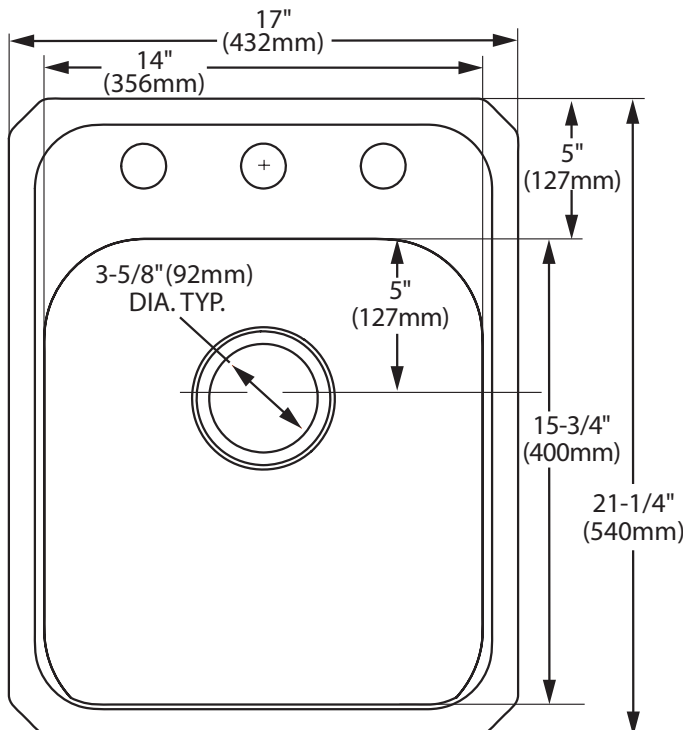
- 16-3/16" x 20-5/8" with 1-1/2" corner radius, a tolerance of plus or minus 1/16" is acceptable

### STANDARDS

- Third party certified to meet ASME A112.19.3/CSA B45.4 and all applicable specifications referenced therein
- \*ADA/FHA Sink compliant to ADA (ICC A117.1) and FHA accessibility specifications when installed to these required standards. Always consult with your local building department for the specific installation requirements.

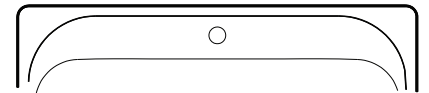
## CRITICAL DIMENSIONS

(DO NOT SCALE)

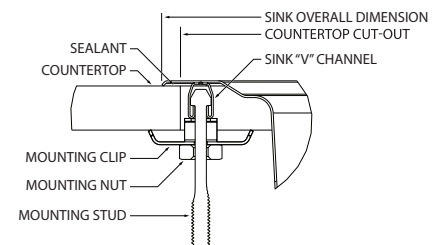


### Faucet Hole Configurations

1-1/2" (38mm) Diameter faucet holes  
2" (102mm) Center



### Installation Detail



MADE IN THE **USA**